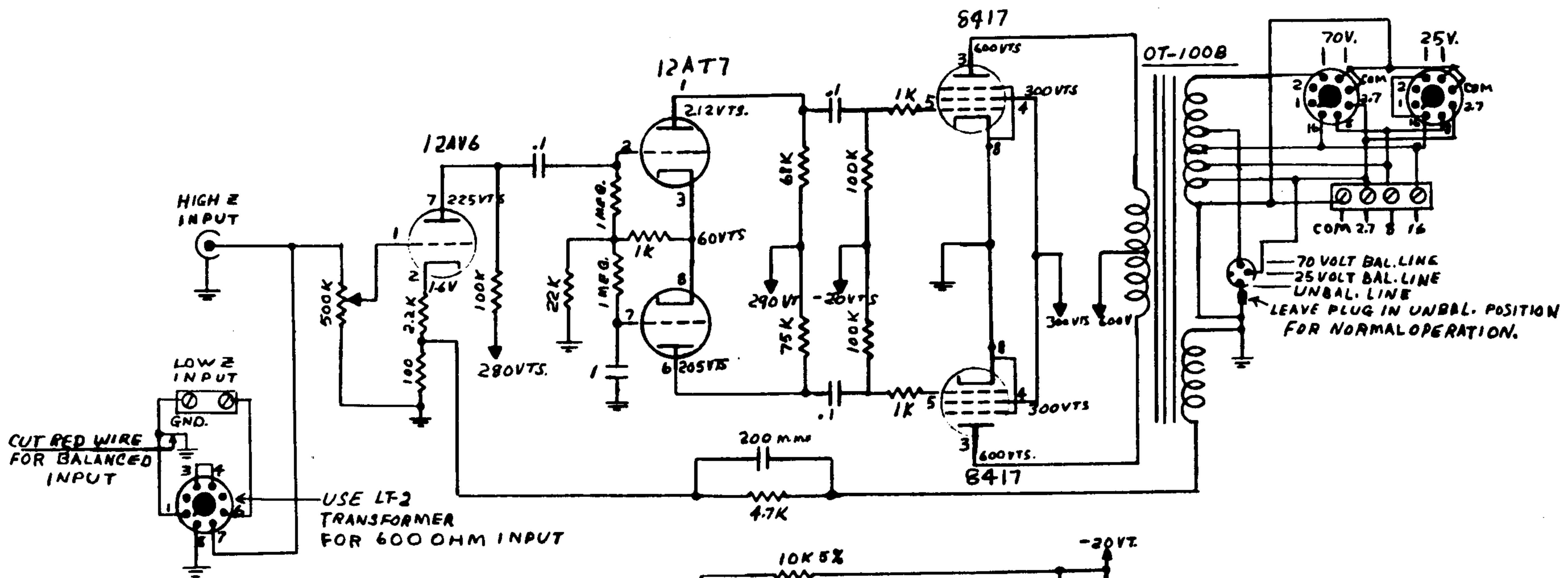


20



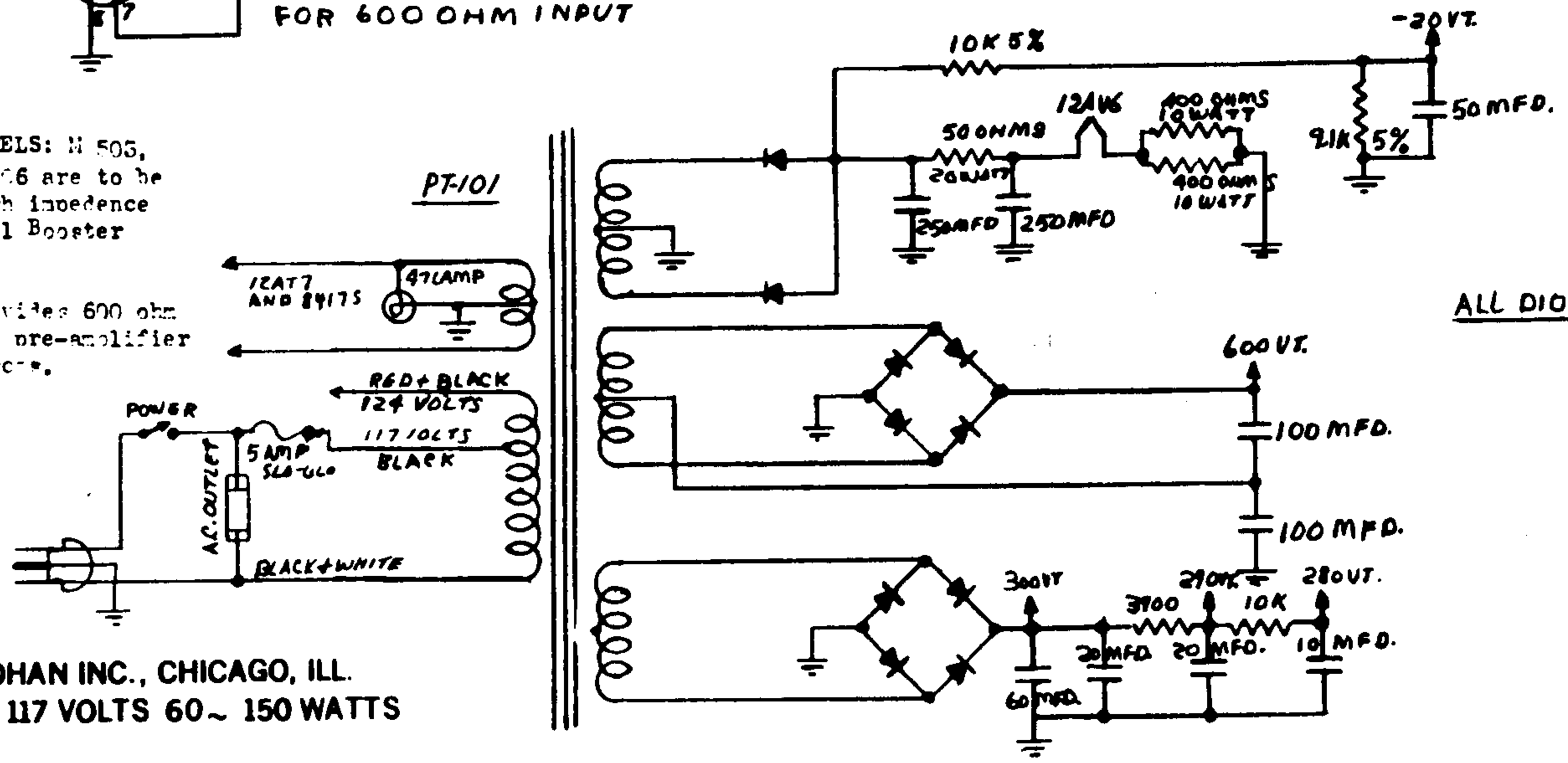
CUT RED WIRE FOR BALANCED INPUT

USE LT-2 TRANSFORMER FOR 600 OHM INPUT

70VOLT BAL.LINE  
25VOLT BAL.LINE  
UNBAL.LINE  
LEAVE PLUG IN UNBAL. POSITION FOR NORMAL OPERATION.

BOOSTER OUTPUT ON MODELS: M 505, M 1003, M506 and M 1006 are to be connected only to high impedance input of Model; M 1001 Booster amplifier.

LT 2- transformer provides 600 ohm input from microphone pre-amplifier or other 600 ohm source.



ALL DIODES No. 38385

DON MCGOHAN INC., CHICAGO, ILL.  
MODEL M1001 117 VOLTS 60~ 150 WATTS